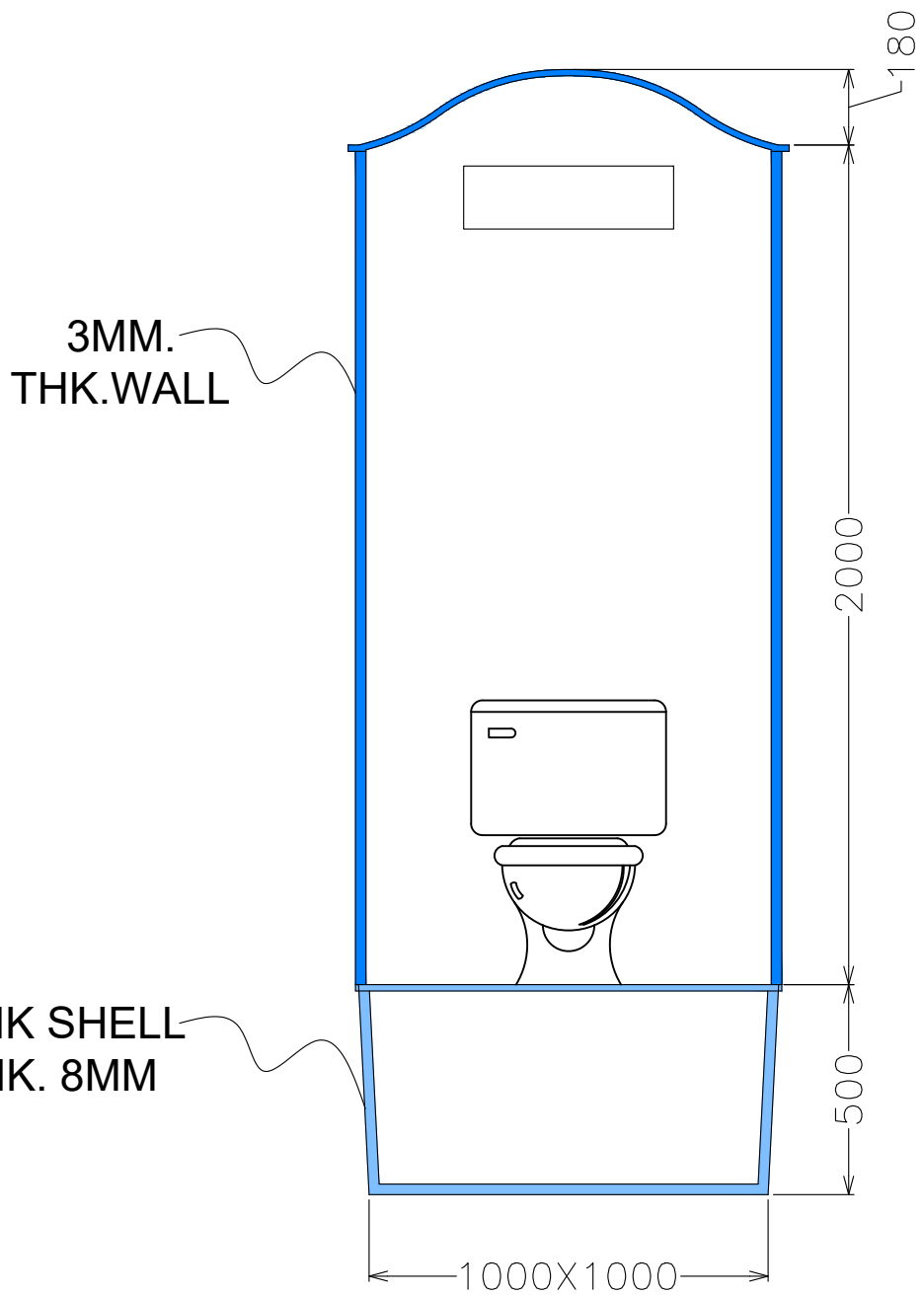
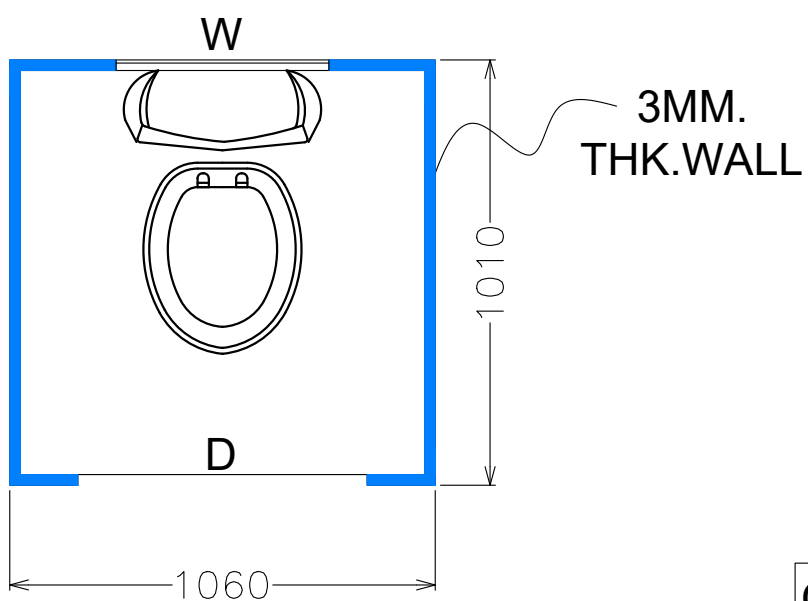


ELEVATION



TYP. SECTION



TOP VIEW

DOOR & WINDOW SCHEDULE

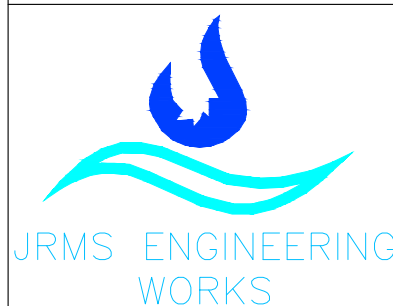
Mkd.	Size (WxD)
D	680X1830
W	500X150

Client:

TITLE: G.A DRAWING OF BIO TOILET

Drawing No : , Model - , Rev - 0, Scale - 1:25

Drawn By: , Chkd By- , Appvd. By -



JRMS ENGINEERING WORKS

Add : Boral, Natunhat, Kazipara, Kolkata -700103
Email : info@jrmsengineeringworks.com

This drawing is property of JRMS ENGINEERING works, and should not be copied or used without permission from JRMS ENGINEERING works